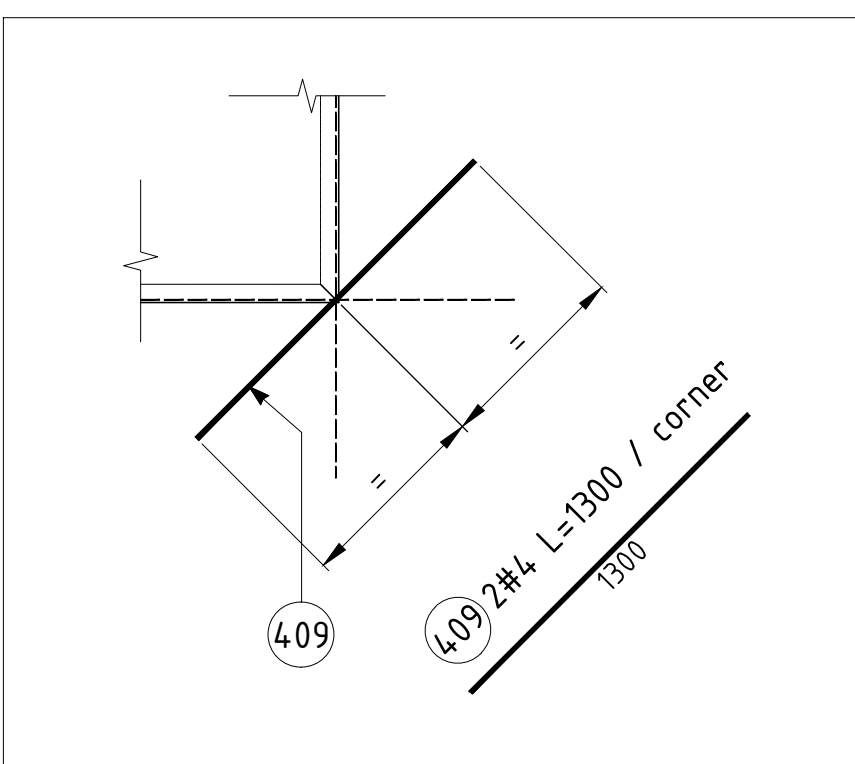
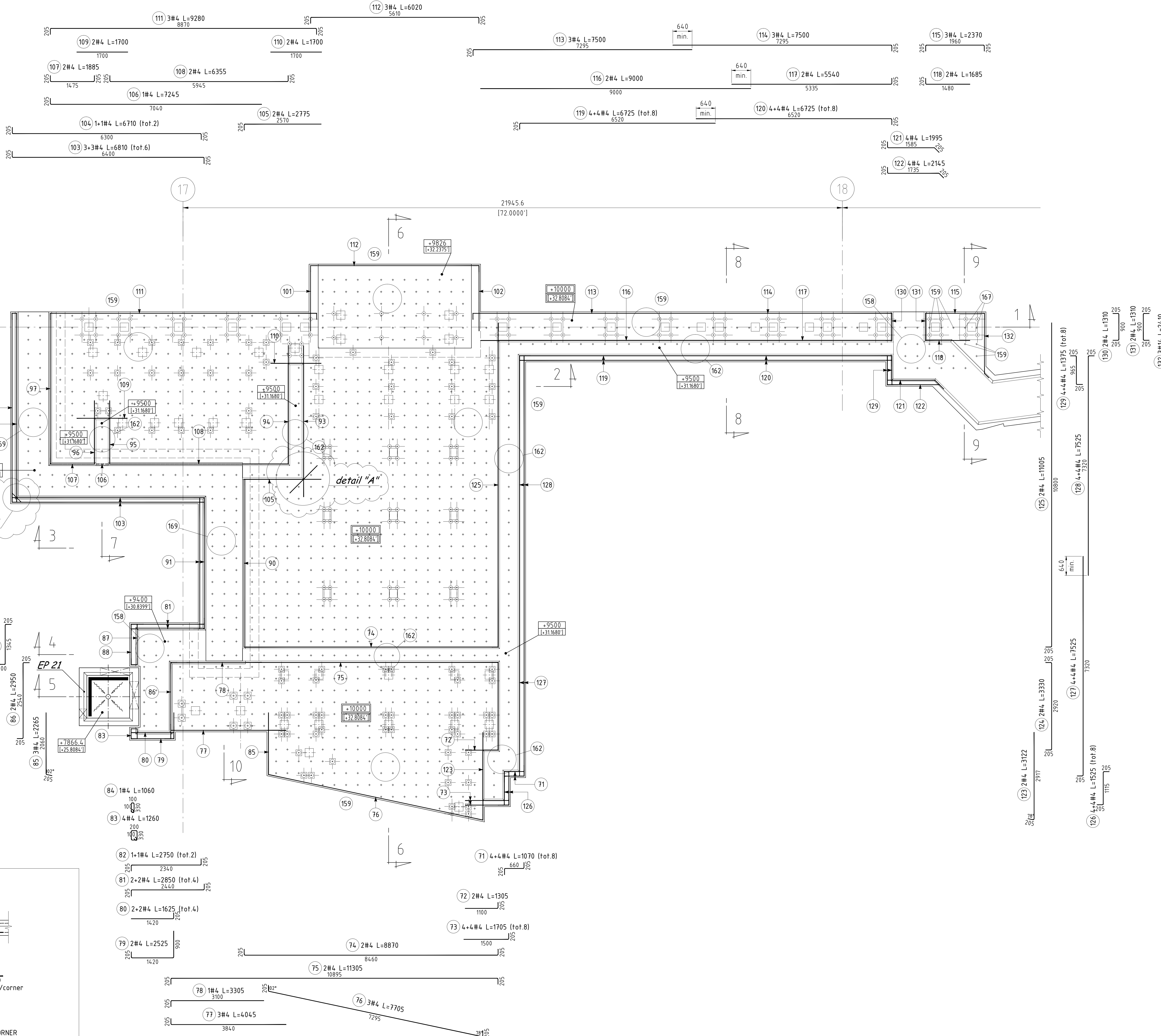
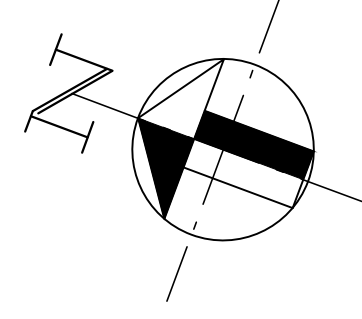
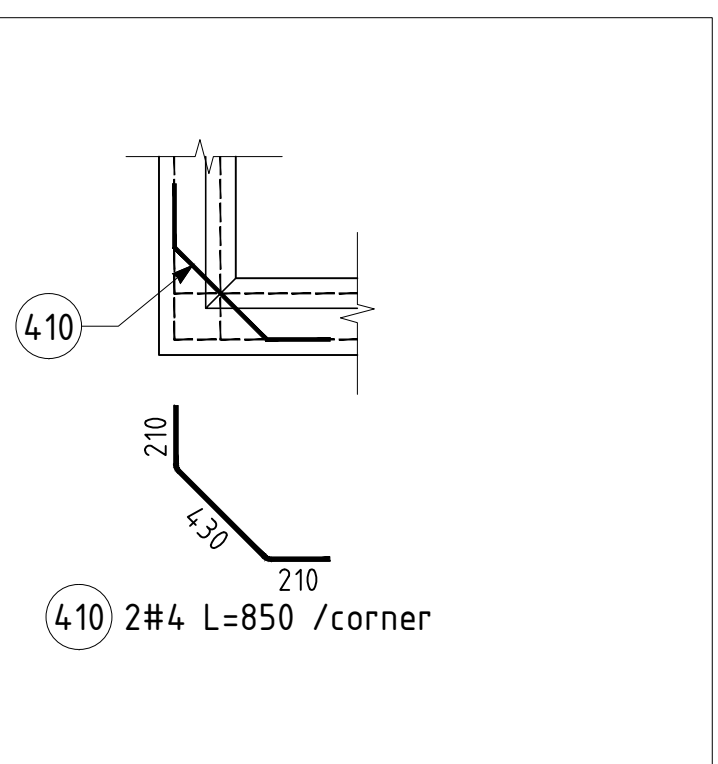


FOUNDATION PART 5A - LATERAL & TIES REINFORCEMENT
SCALE 1:50



NOTE:
n 2 BARS FOR EACH RE-ENTRANTCORNER
TYPICAL CORNER DETAIL "A"
SCALE 1:25



NOTE:
n 2 BARS FOR EACH CORNER
TYPICAL CORNER DETAIL "B"
SCALE 1:25

NOTES:

- FOR CONCRETE MATERIAL CRITERIA AND REINFORCEMENT, SEE STRUCTURAL STANDARD DRAWING 3400-C-TP-000-0640.
- FOR STRUCTURAL STANDARD ABBREVIATIONS AND DRAWING LIST SEE DRAWING 3400-C-TP-000-0641.
- PILE MATERIAL: ASTM A252 Grade 3 (fy=45 ksi)
- PRIMARY UNITS IN MILLIMETERS, SECONDARY UNITS IN FEET-INCHES.
- WELDING OF THE REBAR TO THE PIPE PILES SHALL BE IN ACCORDANCE WITH AWS D1.4 2011 AND AWS D1.1 2010. THE CONTRACTOR SHALL SUBMIT A WELDING PROCEDURE SPECIFICATION (WPS) AND PROCEDURE QUALIFICATION RECORD (PQR) TO THE ENGINEER OF RECORD IN WRITING FOR APPROVAL IN ACCORDANCE WITH AWS D1.1 FOURTEEN DAYS PRIOR TO WELDING THE REBAR.
- PILES SHALL BE LOAD TESTED IN ACCORDANCE WITH IBC 2009 SECTION 1810.3.3.1.2.
- THE DESIGN AND INSTALLATION OF THE DEEP FOUNDATION ELEMENTS SHALL BE UNDER THE DIRECT SUPERVISION OF A REGISTERED DESIGN PROFESSIONAL KNOWLEDGEABLE IN THE FIELD OF SOIL MECHANICS AND DEEP FOUNDATIONS WHO SHALL SUBMIT A REPORT TO THE BUILDING OFFICIAL STATING THAT THE ELEMENTS AS INSTALLED SATISFY THE DESIGN CRITERIA.
- BACKING BAR SHALL BE DFP CHILL RING BY FOUNDATION PRODUCTS, LLC OR APPROVED SUBSTITUTE.
- WHERE LOWER PILE END AT SPLICE LOCATION IS DAMAGED DURING THE DRIVING, THE DAMAGED PORTION OF THE PILE SHALL BE REMOVED BEFORE SPLICING THE PIPE PILE.
- CONCRETE SHALL BE CONSIDERED LOW PERMEABILITY CLASS P1 PER ACI318 TABLE 4.2.1
- CLEAR COVER :
FOUNDATIONS : 2"
WALLS AND SLABS : 1"
FOR BEAMS & COLUMNS ABOVE GRADE COVER 1-1/2"
FOR CONCRETE COLUMNS & WALLS BELOW GRADE COVER - 2"
FOR SLAB ON GRADE FORMED EDGES COVER - 2"
FOR SLAB ON GRADE CAST AGAINST EARTH COVER - 3"
- ANCHOR ASSEMBLIES SHALL BE PLACED PRIOR TO POURING THE CONCRETE FOUNDATION

MATERIALS:

- MUD MATS :	1200 psi	(ACI 318-08)
- CONCRETE FOR FOUNDATIONS	4000 psi	(ACI 318-08)
- CONCRETE FOR ELEVATIONS	5000 psi	(ACI 318-08)
- REINFORCING STEEL :	Gr. 60, fy=60 ksi	(ASTM A615)
- WELDED WIRE FABRIC :		(ASTM A185)

REFERENCE:

- 3410-C-EN-110-0007 : BILLET PREPARATION - FOUNDATION PLAN 5th part - AREA 110
- 3410-C-AR-110-0001 : BILLET PREPARATION - FOUNDATION REIN. LAYOUT - AREA 110

ONLY FOR FILE USE

REV	DESCRIPTION	DATE	BY	CHECKED	APPROVED
1	ISSUED FOR REVIEW	03/20/15			
2	REVISED WHERE INDICATED	05/08/15			

DATE	02/26/15	PLANT or	BAY CITY	LINE or	INFRA	EQUIPMENT	HRM
CLASS	EGOD	GROUP		USER			
DESIGNER	EGOD						
CHECK	EGOD						
APPROVED	EGOD						